

ING NO			
NAME	FRAME SET		
NO	1000211151	REV	A
ROVE	JEFFREY	DATE	02/24/11

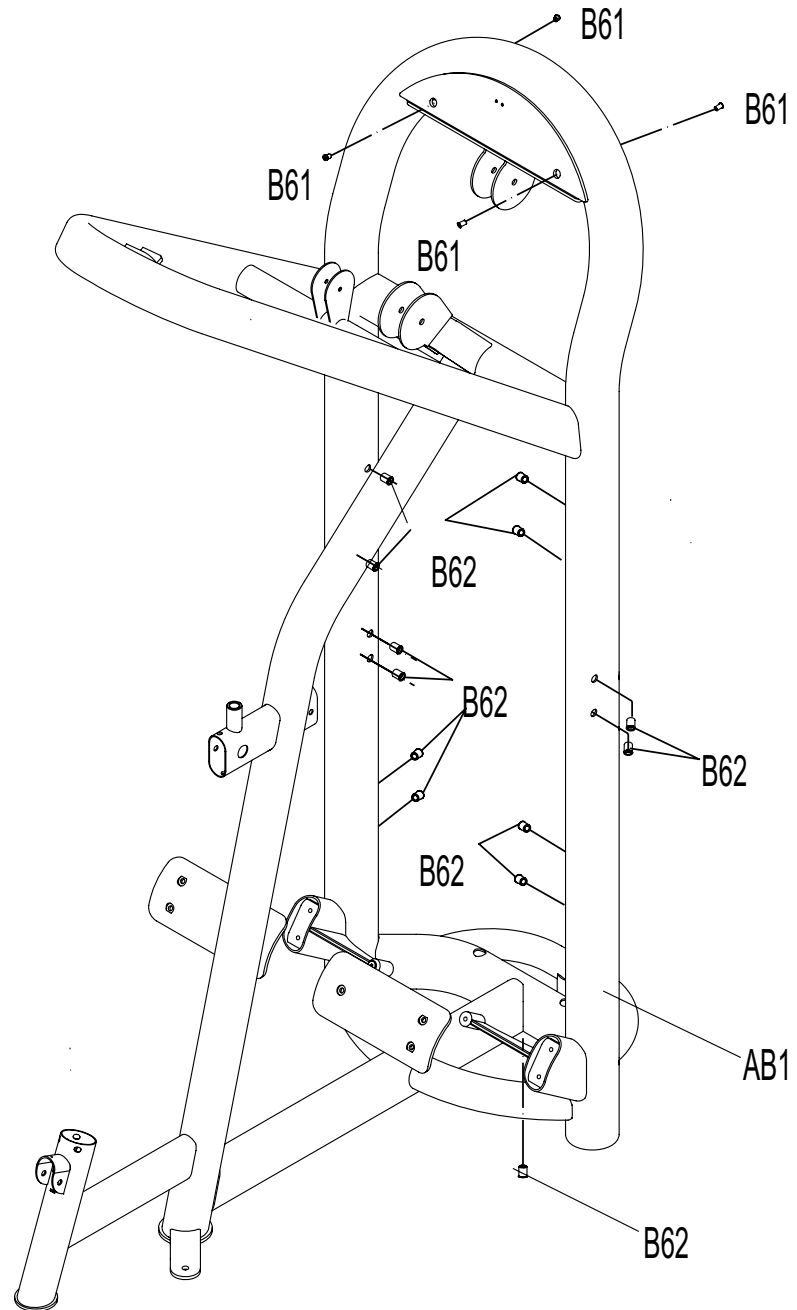
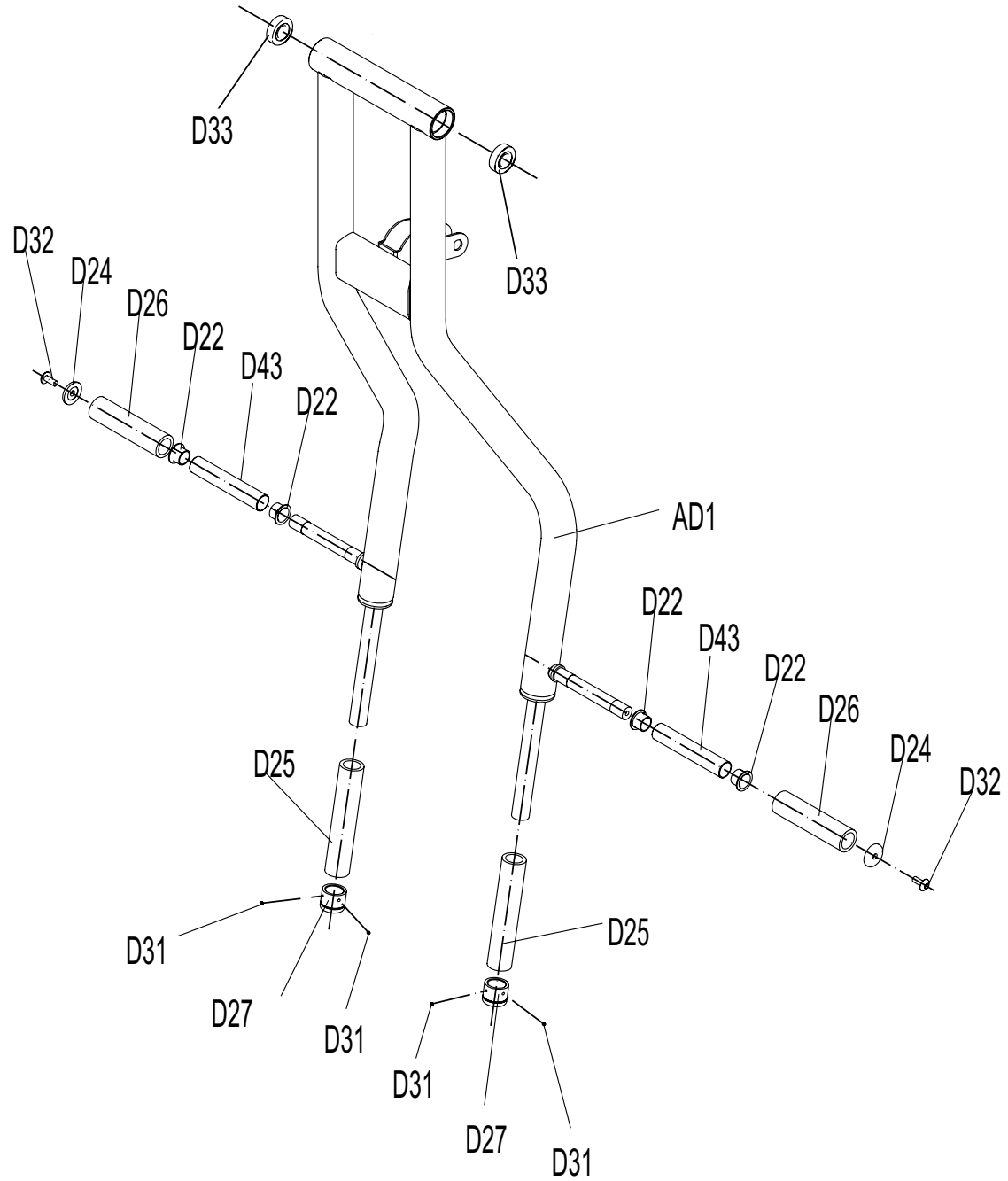
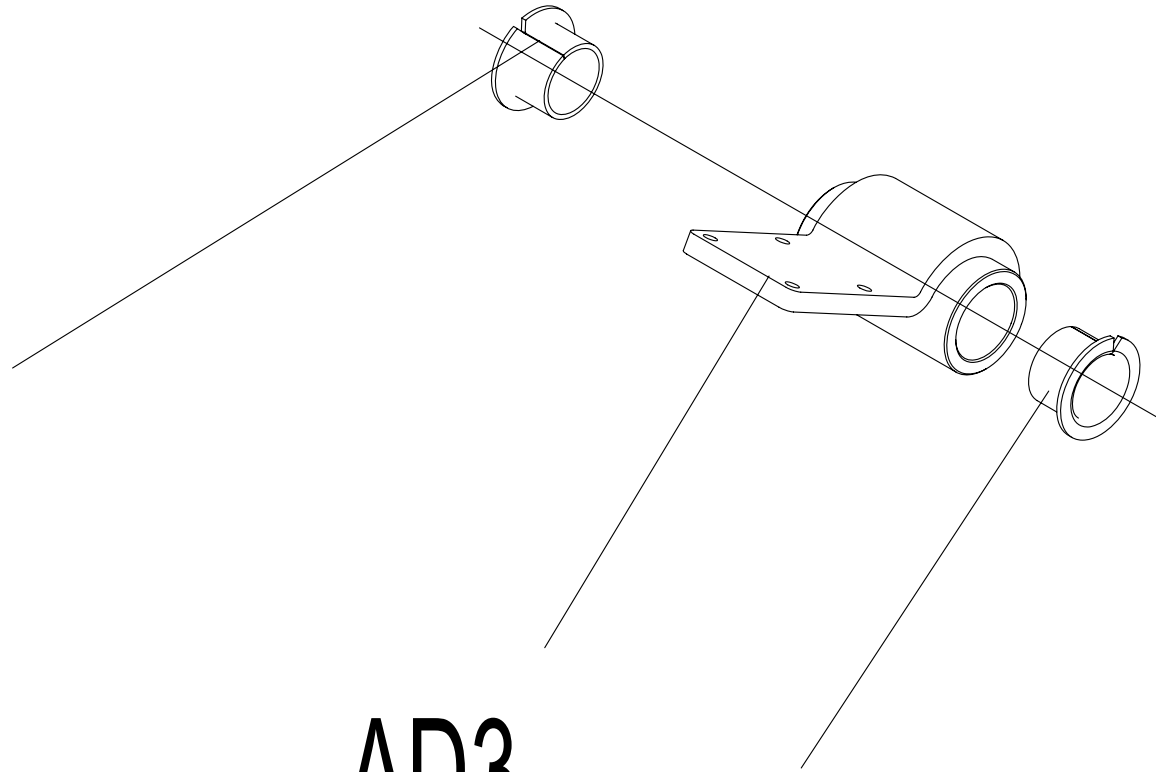


FIG NO			
NAME	PEDAL ARM SET		
FIG NO	1000211399	REV	A
APPROVE	JEFFREY	DATE	02/24/11



ING NO			
NAME	FIX SET		
NO	1000211400	REV	A
ROVE	JEFFREY	DATE	02/24/11

D22



AD3

D22

Bubble#	OEM Number	Description	Notes
AB1	075482	MAIN FRAME	
AD1	083074	Swivel Arm Set	
AD3	083075	SWIVEL ARM BELT SET	
AF4	014780-H	Pulley Set GM01	
AJ1	033300-A	Chest Adjustment Frame Chrome GM20	
AJ2	033217-A	Seat Frame Set	
AK1	1000318302	Up Weight Plate Set-Exreawork GM01	
AL1	015771-A	Weight Storage Horn Set	
AL2	015772-A	Incremental Weight Adjustment Rod GM01	
B28	005181-A	Washer 5.3x10x0.6T	
B35	001522-B	Stopper Block Rubber	
B36	000542-C	Foot pad Weight Plate Rubber GM01	
B37	000508-D	Foot Pad Rubber 60mm	
B38	000509-E	Foot Pad Rubber 89mm	
B39	013422-Z1G2	Adjustment Knob Set Seat Yellow	Full pin set. Includes yellow knob.
B39	1000098871	Pull Pin Set Seat Orange Knob	Full pin set. Includes orange knob.
B39	019153-A	Pull pin knob Yellow	Yellow knob set.
B39	1000090177	Pull Pin Handle Orange TPP 137C MS10	Orange knob only.
B43	033174-AA	SwivelAxleWasher U Painting GM20	
B44	008450-G	Upper Cover Snug Plate L Shaped Bracket SPC Thickness: 1.5mm	
B46	000514-C	Foot pad Tube Rubber GM07	
B47	000791-B	Water Bottle Holder	
B50	005181-A	Washer 5.3x10x0.6T	
B51	005180-A	Washer Sawtooth INT 4.3X8X0.5T BAN	
B61	020410-A	Insert Nut NLS7-580-5.7	
B62	1000444959	RVN A2-M8-BF	
B63	004702-00	Screw Flat Hex Socket M8x1.25Px20L	
B64	004535-AC	Screw Hex Socket Round M8x1.25Px30L	
B66	004601-AC	Screw Hex M5x0.8Px15L	
B67	008589-F	Fixing Horn Plate Cover D SPC Zn Plate	
B70	067544-A	Screw Phillip M4X0.7PX12L	

B71	025510-A	Pedal Set Painting GM19
B77	004442-AB	Screw Hex Socket Round M4x0.7Px10L
B78	079123	Placard Holder
B79	079527	Screw Hex Socket Umbrella M8x1.25Px18L
C30	031753-J	Axle Pin 35CrMo GM02
D21	009297-A	Axle Swivel Arm SCM21 20x371L Zn Plate
D22	004118-00	Bearing Dry Flange LEF-2015 LFF-2015
D23	008522-C	Washer Swivel Axle SS41 Cr
D24	009360-AA	Washer Grip Chromed
D25	000614-D	Foam Elastomer 24x5.0tx195L
D26	000615-D	Foam Elastomer 24x5.0tx185L
D27	009371-E	Cap Grip GM03
D28	004553-AB	Screw Round Hex Socket M12x1.75Px25L
D29	005007-00	Washer Spring 12.2x21.5x3.0t
D30	005132-00	Washer Flat 13x26x2.5T Chromed
D31	004855-AC	Set Screw M6X1.0PX4L
D32	004859-00	Screw Umbrella Hex Socket M8x1.25Px20L
D33	004077-A2	Ball Bearing 6004ZZ 20X42X12T SKF
F02	035711-A	Belt Flat Kevlar **Order BY THE FOOT, e.g. 8 ft = qty 8**
F03	004534-AC	Screw Hex Socket Round M5x0.8Px35L
F04	004519-AE	Screw Round Hex Socket M10x1.5Px80L
F05	004943-00	Nut Nylon M10x1.5P Cr Plate
F06	008448-D	Fix Plate Pulley SPC BED GM01
F07	031757-A	Axle Belt ADJ SCM4 GM20
J08	004780-AC	Screw Umbrella Hex Socket M10x1.5Px25L
J11	1000097262	Sleeve Seat Tube
J12	1000097263	Sleeve Chest Tube
J13	1000090006	End Cover Seat Tube Sleeve
J14	020126-DB	Screw Seat Stopper M8x1.25Px20L
J15	067941-C	Cap 25x50x3.0T GM20
J16	008234-C	Bushing Fixed Plate

Replacement may appear different than original (the original part had rhino finish, but replacement part has a smooth finish), but is compatible.

Send 10 feet.

J17	020127-A	Screw Hex Socket Round M8X1.25PX12L
J18	005130-00	Washer Flat 8.4x15.5x1.6T Chromed
J19	005015-00	Washer Spring SW8 8.2X13.5X2.0T
K05	009219-D	Connecting Axle Belt SS41 Zn Plate(BL) GM01
K06	015943-AA	Weight Plate Set 15 Lbs Dry Bearing
K07	001513-A	Rubber Block Shock Absorb
K08	001508-E	Long Guide Rubber Plate POM
K09	1000210971	Guide Rail 19X1760L
K10	1000372591	Adjustable Pin Weight Plate 42CrMo Chro
K10	1000372591	Adjustable Pin Weight Plate 42CrMo Chro
K11	001510-B	Grommet Guide Rod
K12	005377-00	Clamp E-Shaped Ring E-15
K14	004116-00	Bearing Dry Weight Stack
K15	005367-00	C-Clip External S-30
K16	009365-00	Pin Spring 10x70L
K17	004764-00	Screw Hex Socket BH M8x1.25Px25L Adhere
K18	005145-AC	Washer Flat 8.2x19.0x2.0T Chromed
K20	004535-AC	Screw Hex Socket Round M8x1.25Px30L
K24	001508-E	Long Guide Rubber Plate POM
K25	005847-A	Lanyard Weight Selection Pin
L07	015806-AA	Increment Weight Plate 5LBS
L08	001521-E	Stopper Block Incremental Rubber
L09	004859-00	Screw Umbrella Hex Scoket M8x1.25Px20L
L11	005015-00	Washer Spring SW8 8.2X13.5X2.0T
L12	005016-00	Washer Spring 5.1x9.3x1.3t Chromed
L13	004708-AD	Screw Umbrella Hex Scoket M5x0.8Px16L
L14	005084-00	Washer Flat 5.3X10.0X1.0T Chromed
not shown	1000232600	Warning Label - - - PC - -

Not Shown	1000363588	Stopper set Guide Rod painting MS20
not shown	089060	Hardware Semi-Assy GM20KM-G3
not shown	035795-A	Assembly Manual
Not Shown	ZMS4003262	Decal, QR, G3-S31 Seated Row

Upgraded stopper. See "Guide Rod Stops" in Service Bulletins. Also order 1000345425 and 1000104705.

Q01	1000362601	Cover set Big GM20	
Q02	085791	Cover Set Upper Snap Badged	
Q02	013420-ZG2-2	Upper Cover Set	
Q03	001512-C	Cover Pulley ABS GM01 ABS	
Q06	001509-D	Fix Rubber Block Cover Rubber GM01	
Q07	001526-D	Bolt Cover M8x1.25Px40L	
Q10	020699-A	Rivet 1/8X12.5L	
V01	085987	Illustration Decal ENG GM20	See service bulletin "Instructional Placard Design".
V01	1000099251	InstructionLabel French GM20KM-G3	
V03	006611-E	Decal Weight Plate 15LBS (Contains decals up to 295lbs)	
V06	006629-A	Decal Back Pad Adjustable MX-S71 GM08	
V08	083532	Sticker Cover Up AL SNAP-GM01	
V08	005984-G	Decal Upper Cover	
V11	006656-A	Decal Serial Number Aluminum	
V13	006651-B	Decal Weight Plate 5P	
D20	100106122	Painting, Grip Set	
F44	033409-AA	Extrawork Pulley set FW63	
J06	SEE PAD MATRIX	CHEST PAD	
J10	SEE PAD MATRIX	BACK PAD	
AF4	013417-Z	Pulley Set Semi-Assy	Discontinued
AF4	014780-H	Pulley Set GM01	Discontinued
AF4	013417-Z	Pulley Set Semi-Assy	Discontinued
AK1	069003-AA	Top Weight Plate Set	Discontinued
B62	004975-00	Insert Nut Brass ALS7-8125-3.8(0.5-3.8)	Discontinued
B76	062949-B	Limiter Ring Guide Rod	Discontinued
D29	005018-00	Washer Spring SW12 12.2X21.5X3T Chromed	Discontinued
K03	009641-F	Bayonet Weight Plate 20 Aperture\\ Discontinued: Order top weight plate set instead	Discontinued
K10	014794-B	Pin Weight Plate Selector Yellow Knob	Discontinued
K10	1000091374	Weight Stack Pin Orange Zn Plate M	Discontinued
K18	005040-AB	Washer Flat 8.4X15.5X1.6T	Discontinued
L14	005084-AB	Washer Flat 5.3x10x1.0T Zinc Plating	Discontinued
not shown	087657	Decal Warning Sticker	Discontinued

Q01	075486	Weight Stack Cover GM20	Discontinued
V07	021586-A	Decal Seat Pad Adjustable GM20\\ D/C, NO REPL: Part will show as orderable until stock is depleted.	Discontinued